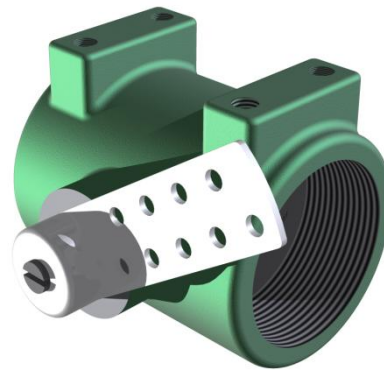


**Manual
Control Valve**



**Automatic
Control Valve**

Product Description : Vulcan Butterfly Valves are designed to control air and gas flow to all types of combustion systems.

Types available : Valves are available for either manual or automatic control and in full port construction in 3/4" through 4", with PT threads.

Thread Connections : The 3/4" through 4" valves are available with PT threads.

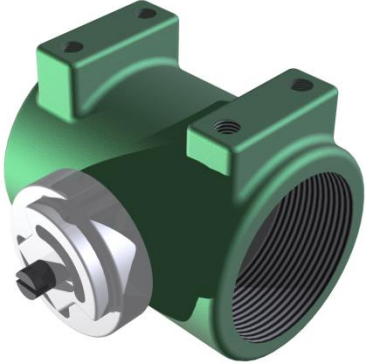
Shutters : PT versions: Furnished with shutters.

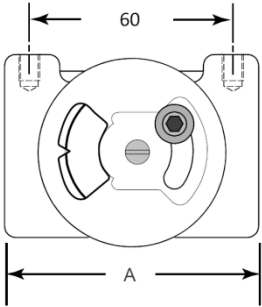
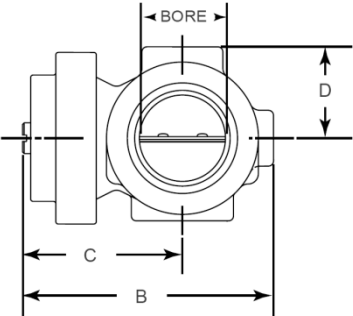
Indication : All Vulcan butterfly valves feature an easy to read indicator plate and a slot on the end of the shaft to provide visual indication of the disc position.

Control : Manual butterfly valves 4" and smaller have an adjusting cover for setting disc position. A locking screw secures the cover at the desired setting. Automatic control butterfly valves are furnished with a control arm that can be attached to the shaft. This allows integration with a variety of position control devices.

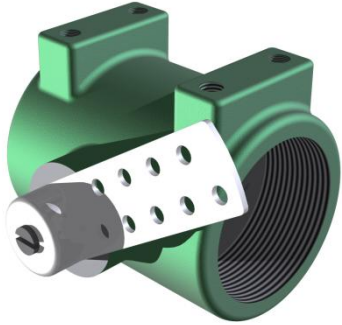
CAUTION : They **should not** be used as tight shut-off valves.

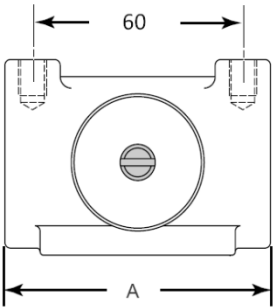
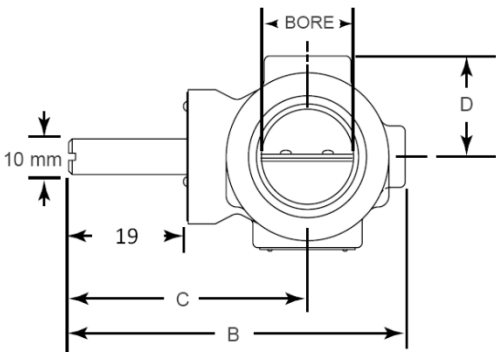
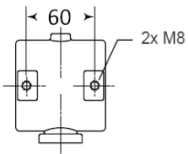
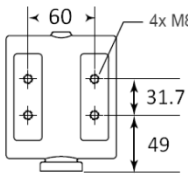
Dimensions, Manual Valves with PT threads

	PT Size	Catalog Number	Dimensions, millimeters			
			A	B	C	D
	3/4"	BVM-00	74	81	54	29
	1"	BVM-01	74	88	56	35
	1-1/4"	BVM-02	81	94	59	40
	1-1/2"	BVM-03	81	100	70	50
	2"	BVM-04	81	116	70	50
	2-1/2"	BVM-05	101	131	80	60
	3"	BVM-06	101	150	85	65
4"	BVM-07	130	172	100	80	

	
---	---

Dimensions, Automatic Valves with PT threads

	PT Size	Catalog Number	Dimensions, millimeters			
			A	B	C	D
	3/4"	BVA-00	74	81	54	29
	1"	BVA-01	74	88	56	35
	1-1/4"	BVA-02	81	94	59	40
	1-1/2"	BVA-03	81	100	70	50
	2"	BVA-04	81	116	70	50
	2-1/2"	BVA-05	101	131	80	60
	3"	BVA-06	101	150	85	65
4"	BVA-07	130	172	100	80	

 <p>Dim: mm</p>		<p>Actuator Bracket Mounting Holes</p>  <p>1/2" thru 2-1/2" Dim: mm</p>  <p>3" & 4" Dim: mm</p>
--	--	---